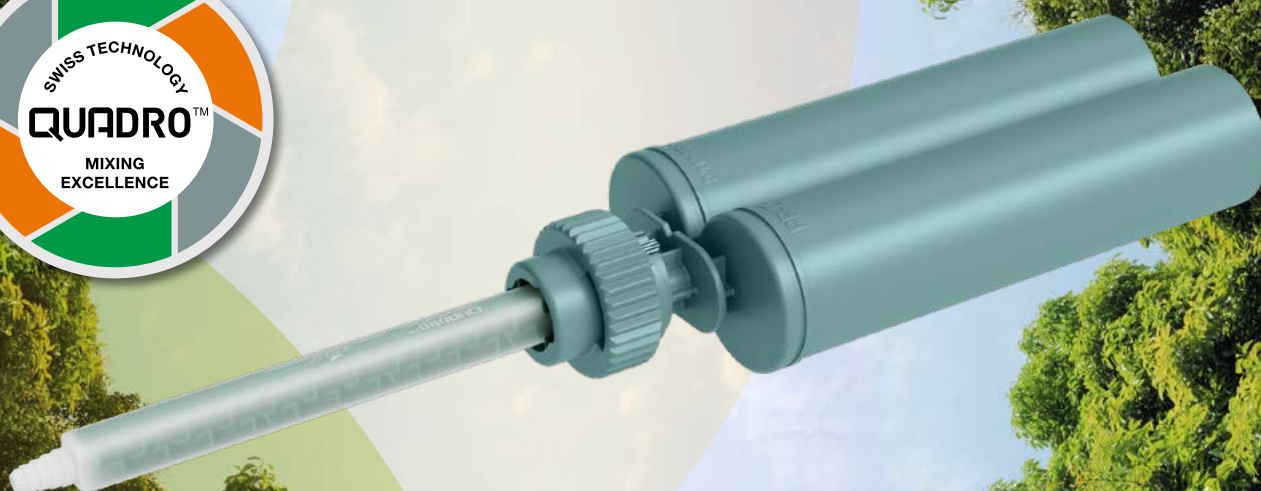


# MIXPAC™ GREENLINE™ APPLICATION SOLUTIONS

REDUCE CO<sub>2</sub> WITH GREENLINE FAMILY PRODUCTS  
MADE FROM RECYCLED PLASTICS



greenLine™

medmix

INDUSTRY 

# REDUCE YOUR CO<sub>2</sub> IMPACT WITHOUT COMPROMISING PERFORMANCE

At medmix, we think about fully integrated application solutions which meet the highest requirements of both your customers and your environmentally conscious company. As a result, we developed the greenLine systems: the CO<sub>2</sub>-saving range based on our well-proven MIXPAC system quality. All cartridges and mixers are made from post-consumer recycled (PCR) or post-industrial recycled (PIR) plastics. Discover our greenLine family with the MIXPAC technology you can rely on.

## Second life for plastics

Post-industrial and post-consumer recycling enables plastics to be repurposed in our cartridges and mixers. This process aids in reducing your carbon footprint compared to conventional products.

## Improved packaging

With the recycled bag and box material you are able to improve your eco performance.

## MIXPAC GREENLINE SOLUTION APPROACH

greenLine family solution shown below with the example of the MIXPAC greenLine F-System 200mL 1:1 cartridge set.



Learn more about MIXPAC greenLine family



## Widely applicable

The greenLine family is suited for a wide range of industrial adhesive and sealant applications with epoxies and polyurethane systems.

## Drop-in solution

Compatible with existing components and processes – just exchange the conventional parts with greenLine ones and experience the known MIXPAC quality.

## Our contribution to your sustainability



## HIGH PERFORMANCE FEATURES COMBINED WITH CO<sub>2</sub> REDUCTION

The MIXPAC greenLine family offers all the advanced technological features you have come to expect from our system approach, along with reducing your CO<sub>2</sub> footprint.

## RELY ON

- ✓ Maximum performance
- ✓ System approach with a complete solution from one provider
- ✓ Controlled reproducible processes
- ✓ Ease of use
- ✓ High standards regarding storage stability and transport safety

\* medmix has decided to calculate the carbon footprint of some of its products and share this information with its business customers. You may use this information for calculating the carbon footprint of those of your products which have been manufactured using medmix products. Any further sharing of medmix' carbon footprint data is not permitted, unless explicitly approved by medmix in writing. This data is provided without any guarantee and any and all liability in connection with the use of this data is herewith explicitly excluded.

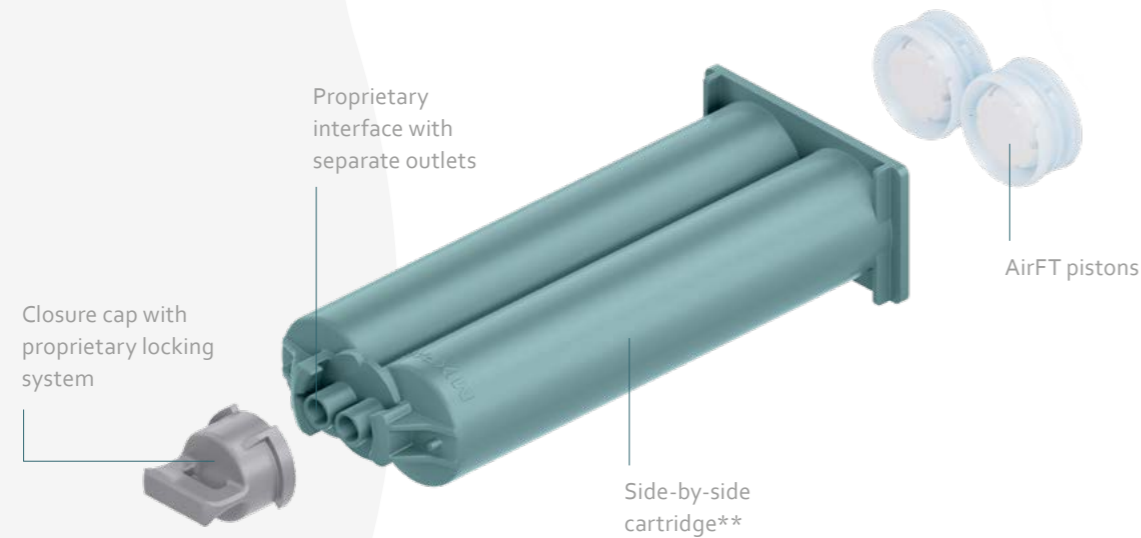
# MIXPAC GREENLINE B-SYSTEM

## 50ML CARTRIDGE SETS



greenLine™

50mL 1:1\* PP



Up to **87%**  
recycled content

Up to **36%**  
CO<sub>2</sub> reduction\*



Get more details

### IMPROVE YOUR VALUE CHAIN WITH THE PROVEN B-SYSTEM TECHNOLOGY

With the greenLine B-System cartridge sets you perform with a well proven mixing and dispensing solution designed with Swiss technology.

- ✓ No cross-contamination due to proprietary interface and locking system
- ✓ High leak proofness and long-term stability
- ✓ Safe, quick and easy assembly of the mixer
- ✓ Controlled, reproducible adhesive process
- ✓ Increased process safety
- ✓ High standards regarding storage stability and transport safety
- ✓ Coded interface and separate outlets

#### Matching mixers

Compatible with a wide range of QUADRO™ and MIXPAC Helical mixing tips.

#### Matching dispensers

Compatible with MIXPAC B-System dispensers

\* Recycled cartridge set reduces carbon footprint in comparison to virgin material cartridge set.

\*\* Color deviations possible due to varying recycling content. For details please see the technical documentation.

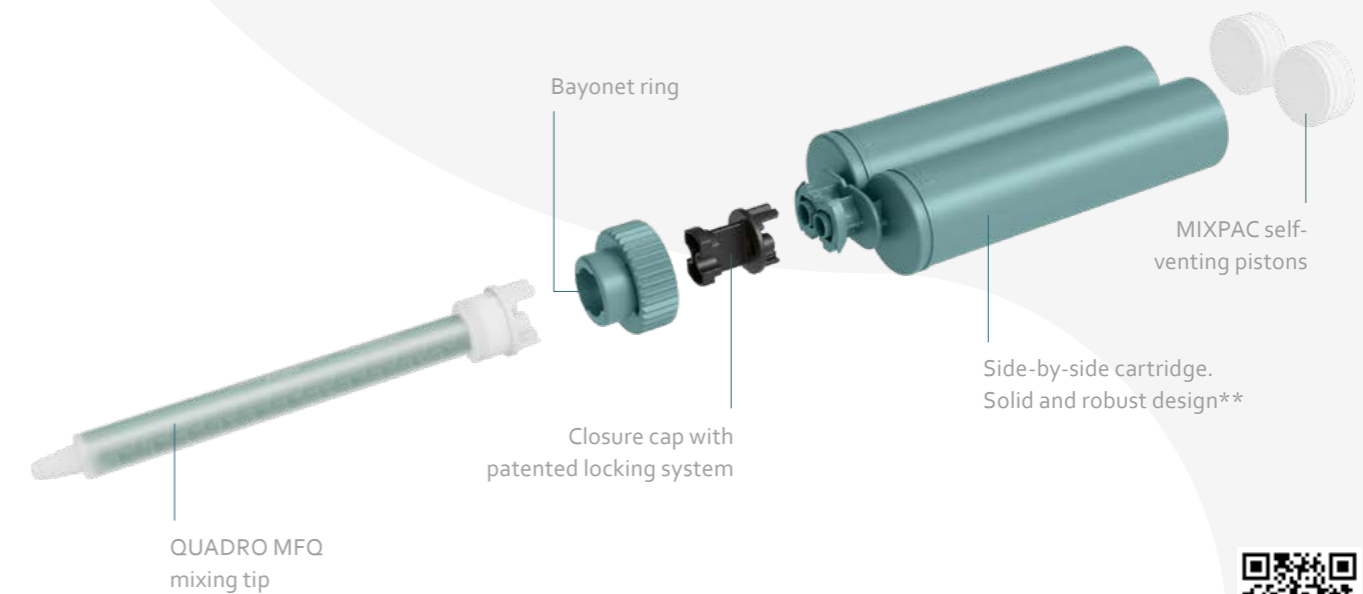
# MIXPAC GREENLINE F-SYSTEM

## 200ML / 400ML CARTRIDGE SET



greenLine™

400mL 1:1 PP



Up to **99%**  
recycled content

Up to **59%**  
CO<sub>2</sub> reduction\*



Get more details

### PERFORM WITH THE WELL PROVEN F-SYSTEM QUALITY

With the greenLine F-System cartridge sets you perform with a well proven mixing and dispensing solution designed with Swiss technology:

- ✓ Resealable without cross-contamination risk at the outlet
- ✓ High mixing performance
- ✓ High leak proofness and long-term stability
- ✓ Simplified one-step piston insertion
- ✓ Fast and efficient removal of trapped air
- ✓ Easy cartridge positioning and exchange
- ✓ Fully compatible with F-System mixing tips and S-B interface converters: cross-out

#### Matching mixers

Compatible with a wide range of QUADRO™ and MIXPAC Helical mixing tips.

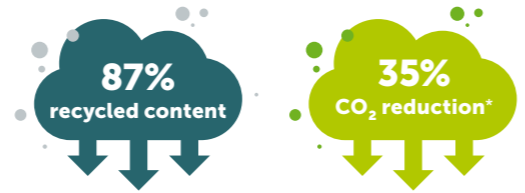
#### Matching dispensers

Compatible with manual, pneumatic and battery dispensers recommended for the MIXPAC F-System.

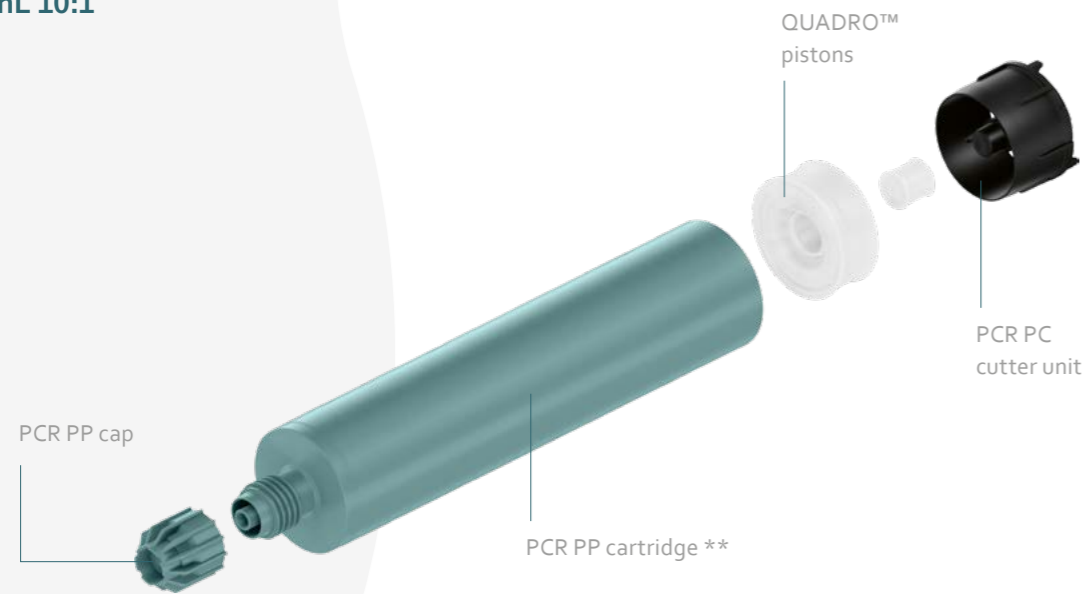
\* Recycled cartridge set reduces carbon footprint in comparison to virgin material cartridge set.

\*\* Color deviations possible due to varying recycling content. For details please see the technical documentation.

# MIXPAC GREENLINE PEELER-SYSTEM 280ML CARTRIDGE SET



280mL 10:1



Get more details

## BENEFIT FROM A TWO-COMPONENT SOLUTION, COMPATIBLE WITH A ONE-COMPONENT DISPENSER

### Matching for construction applications

With the Peeler cartridge set, two component materials can be easily dispensed for a wide range of construction applications.

- ✓ Civil Engineering
- ✓ Building Construction
- ✓ Interior Finishing



Chemical Anchoring    Structural Bonding    Sealing    Crack Repair

### Matching mixers

Find an optimal QUADRO™ mixing tip for every application

### Matching dispensers

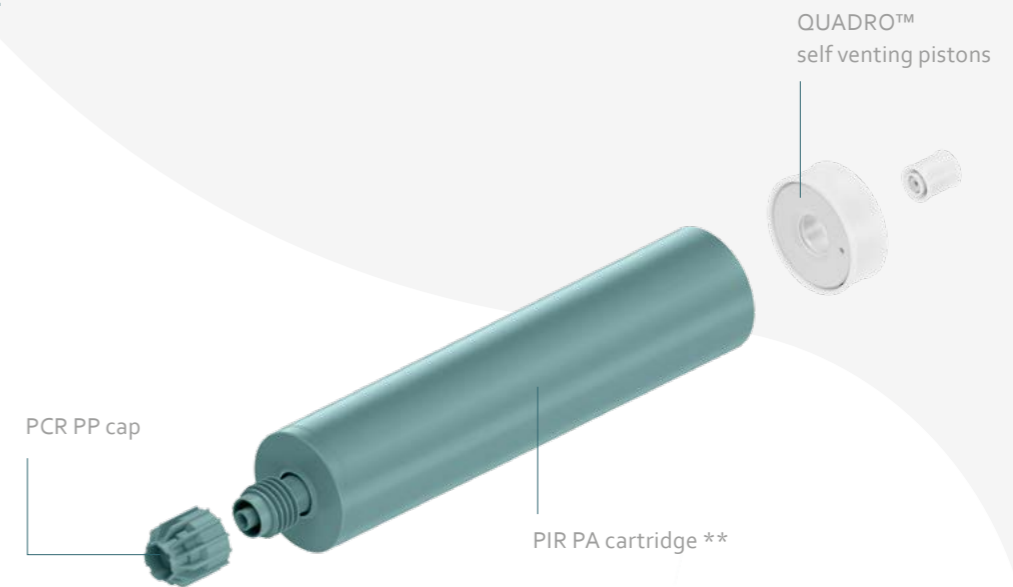
Use with compatible manual, pneumatic and battery one-component dispensers.

\* Recycled cartridge set reduces carbon footprint in comparison to virgin material cartridge set.  
\*\* Color deviations possible due to varying recycling content. For details please see the technical documentation.

# MIXPAC GREENLINE Q-SYSTEM 320ML CARTRIDGE SET



320mL 10:1



Get more details

## MEET HIGHEST REQUIREMENTS FOR STORAGE STABILITY AND CHOOSE THE PROCESS-SAFE SYSTEM

### Matching for construction applications

With the Q-System cartridge set, two component materials can be easily dispensed for a wide range of construction applications.

- ✓ Civil Engineering
- ✓ Building Construction
- ✓ Interior Finishing



Chemical Anchoring    Structural Bonding    Sealing    Crack Repair

### Matching mixers

Find an optimal QUADRO™ mixing tip for every application

### Matching dispensers

Compatible with manual, pneumatic and battery dispensers recommended for the Q-System.

\* Recycled cartridge set reduces carbon footprint in comparison to virgin material cartridge set.  
\*\* Color deviations possible due to varying recycling content. For details please see the technical documentation.

**DELIVERING INNOVATION. INSPIRING CONFIDENCE.**

**EUROPE**

**medmix Switzerland AG**

Ruetistrasse 7

9469 Haag, Switzerland

Phone +41 81 772 20 00

Fax +41 81 772 20 01

[sales.industry@medmix.com](mailto:sales.industry@medmix.com)

[www.medmix.swiss](http://www.medmix.swiss)

**SPAIN**

**medmix Spain, S.L.**

Av. Puerto de Alicante, 5-2

46394 Riba-roja de Túria

Valencia, Spain

[sales.spain@medmix.com](mailto:sales.spain@medmix.com)

[www.medmix.com](http://www.medmix.com)

**ASIA PACIFIC**

**medmix China Ltd.**

68 Bei Dou Lu, Minhang Shanghai

200245, China

Phone: +86 21 6430 68 68

[sales.industry@medmix.com](mailto:sales.industry@medmix.com)

[www.medmix.swiss](http://www.medmix.swiss)

**USA, SOUTH AMERICA,  
CANADA AND MEXICO**

**medmix US Inc.**

8 Willow St.

Salem, NH 03079, USA

Phone +1 603 893 2727

[sales.industry@medmix.com](mailto:sales.industry@medmix.com)

[www.medmix.swiss](http://www.medmix.swiss)

**UK AND IRELAND**

**medmix (UK) Ltd.**

1 Tealgate, Charnham Park, Hungerford

Berkshire, RG17 0YT, United Kingdom

Phone: +44 (0)1488 647 800

[sales.industry@medmix.com](mailto:sales.industry@medmix.com)

[www.coxdispensers.com](http://www.coxdispensers.com)



Legal Notice: This brochure is a general presentation. The information contained in this publication is believed to be accurate and reliable but is not to be construed as implying any warranty or guarantee of performance. We waive any liability and indemnity for effects resulting from its application. Please, contact us for a description of the warranties and guarantees offered with our products. Directions for use and safety will be given separately. All information herein is subject to change without notice.

© 2024 medmix Switzerland AG. All rights reserved.

medmix is a trademark belonging to medmix AG, MIXPAC, greenLine and QUADRO are trademarks belonging to medmix Switzerland AG



Vers. 4.0 / 2024-08